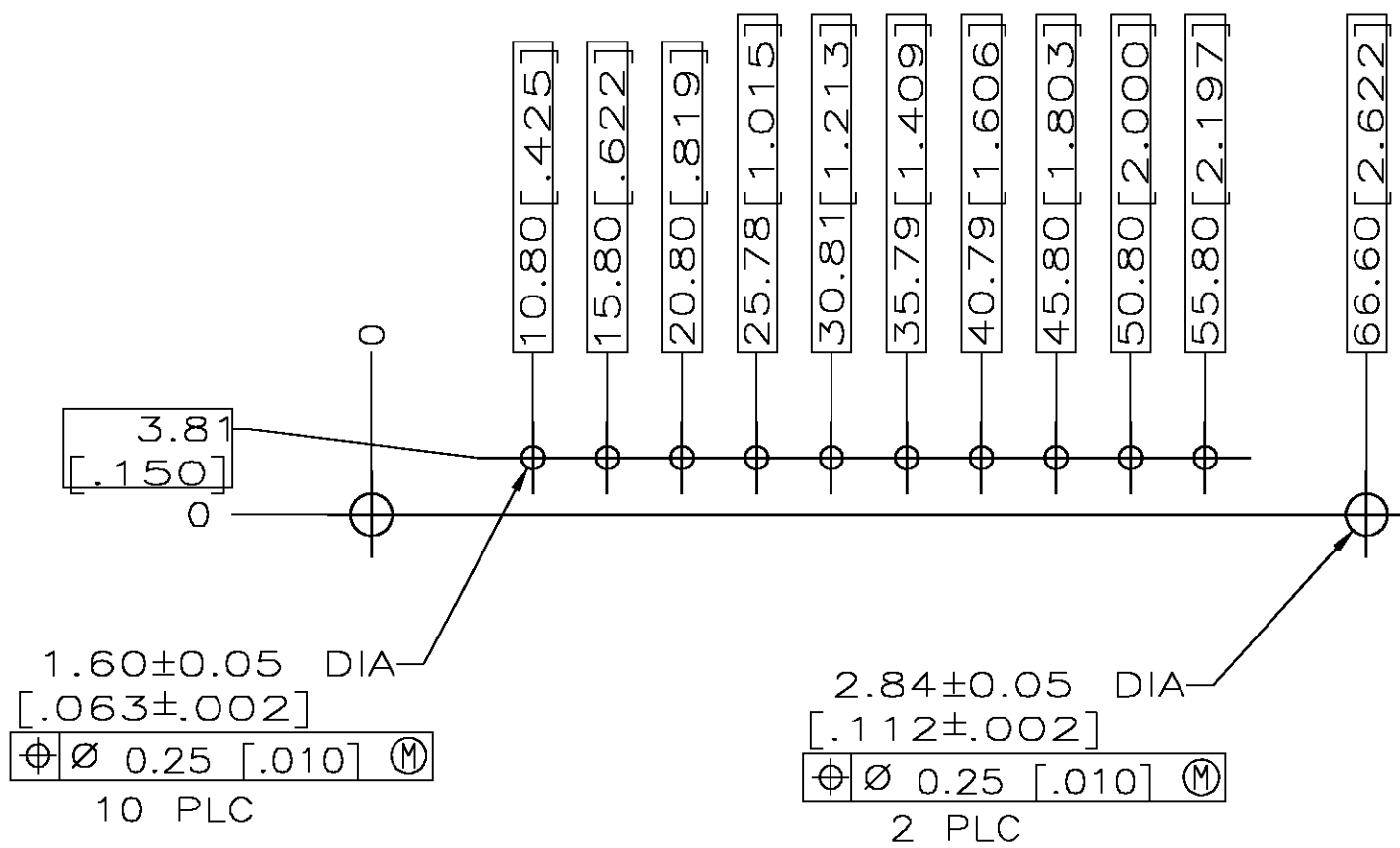
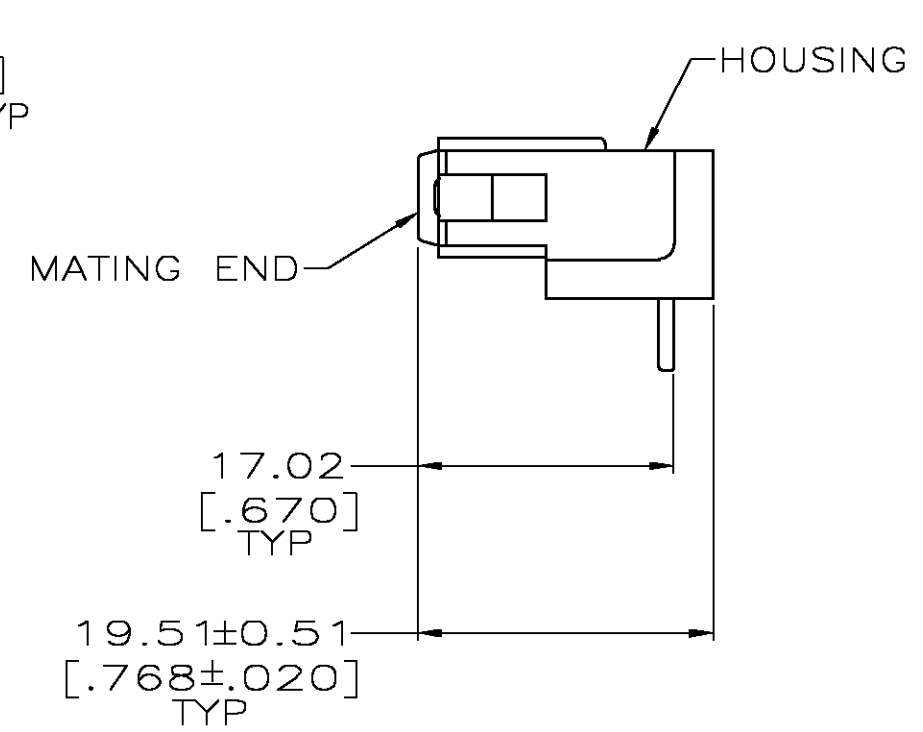
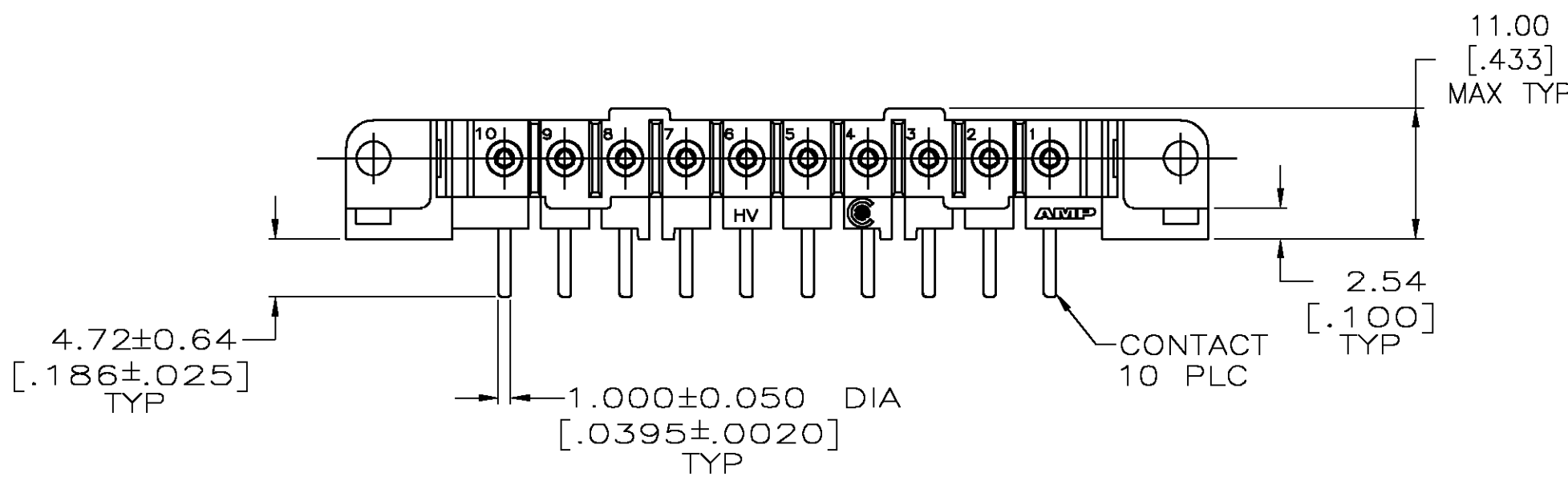
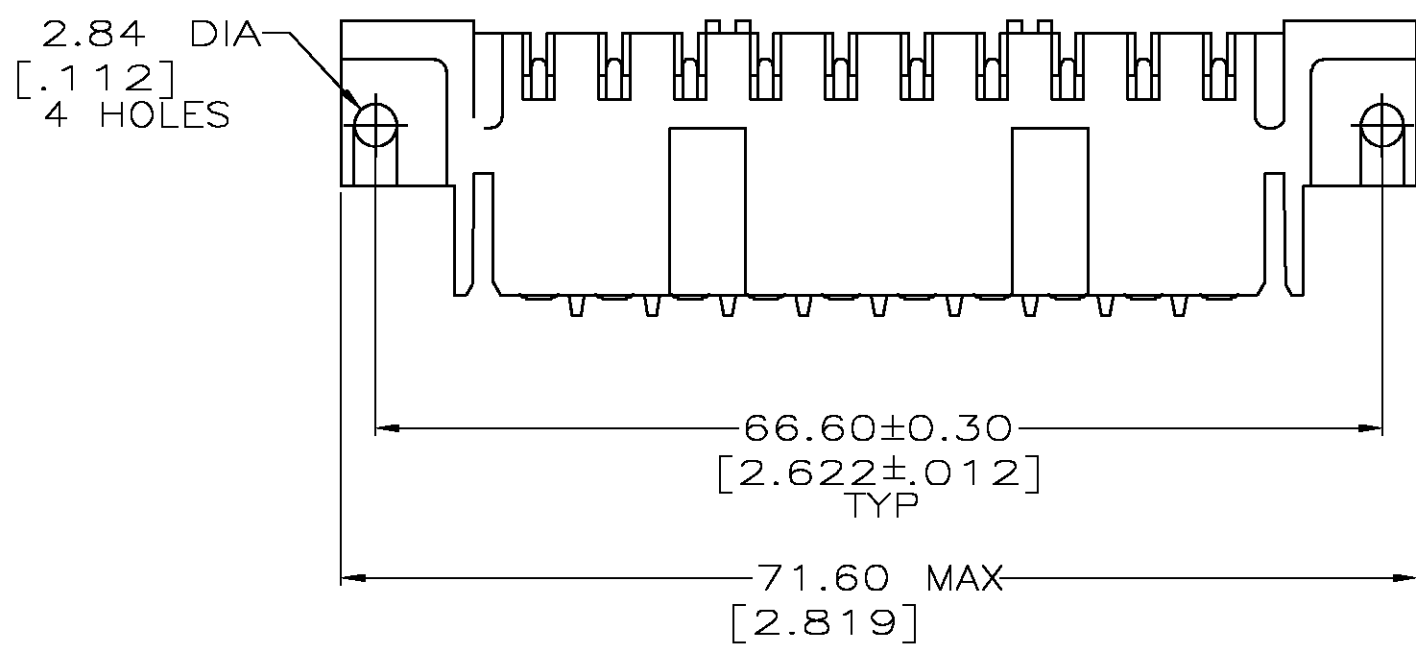


THIS DRAWING IS UNPUBLISHED. RELEASED FOR PUBLICATION
 © COPYRIGHT BY TYCO ELECTRONICS CORPORATION. ALL RIGHTS RESERVED.

LOC	DIST	REVISIONS					
FT	0	P	LTR	DESCRIPTION	DATE	DWN	APVD
		H		REVISED PER 0G3B-0178-05	4/19/05	SS	GS



RECOMMENDED PC BOARD LAYOUT

- ① 3.81um [0.000150] MIN TIN-LEAD OVER 0.76um [0.000030] MIN NICKEL.
- ② 0.76um [0.000030] MIN GOLD FOR A LENGTH OF 5.08 [0.200] MIN FROM MATING END, 3.81um [0.000150] MIN TIN-LEAD FOR A LENGTH OF 5.23 [0.206] MIN FROM OPPOSITE END, BOTH OVER 1.27um [0.000050] MIN NICKEL.
- ③ 3.81um [0.000150] MIN TIN OVER 0.76um [0.000030] MIN NICKEL.
- ④ 0.76um [0.000030] MIN GOLD FOR A LENGTH OF 5.08 [0.200] MIN FROM MATING END, 3.81um [0.000150] MIN TIN FOR A LENGTH OF 5.23 [0.206] MIN FROM OPPOSITE END, BOTH OVER 1.27um [0.000050] MIN NICKEL.

④	207612-7
③	207612-6
②	207612-3
①	207612-1
CONTACT FINISH	PART NUMBER

THIS DRAWING IS A CONTROLLED DOCUMENT.		DWN	08/06/92	Tyco Electronics Corporation Harrisburg, Pa 17105-3608
DIMENSIONS: mm [INCHES]		L.SIPE	8-11-92	
TOLERANCES UNLESS OTHERWISE SPECIFIED:		CHK	J.McCLINTON	NAME SOCKET HEADER ASSEMBLY, 10 POSN, IN-LINE, METRIMATE
0 PLC ± -		APVD	-	
1 PLC ± -		PRODUCT SPEC	108-10033	
2 PLC ± 0.25 [0.010]		APPLICATION SPEC	-	
3 PLC ± -		SIZE	A2	CAGE CODE 00779
4 PLC ± -		DRAWING NO	C=207612	
ANGLES ± -		RESTRICTED TO	-	SCALE 2:1
FINISH		WEIGHT	-	
MATERIAL HOUSING: NYLON, RED CONTACTS: SEE TABLE		CUSTOMER DRAWING	SCALE	SHEET 1 OF 1
			REV	H

207612

A